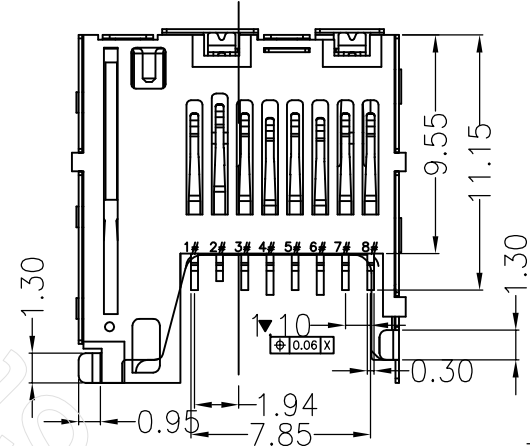
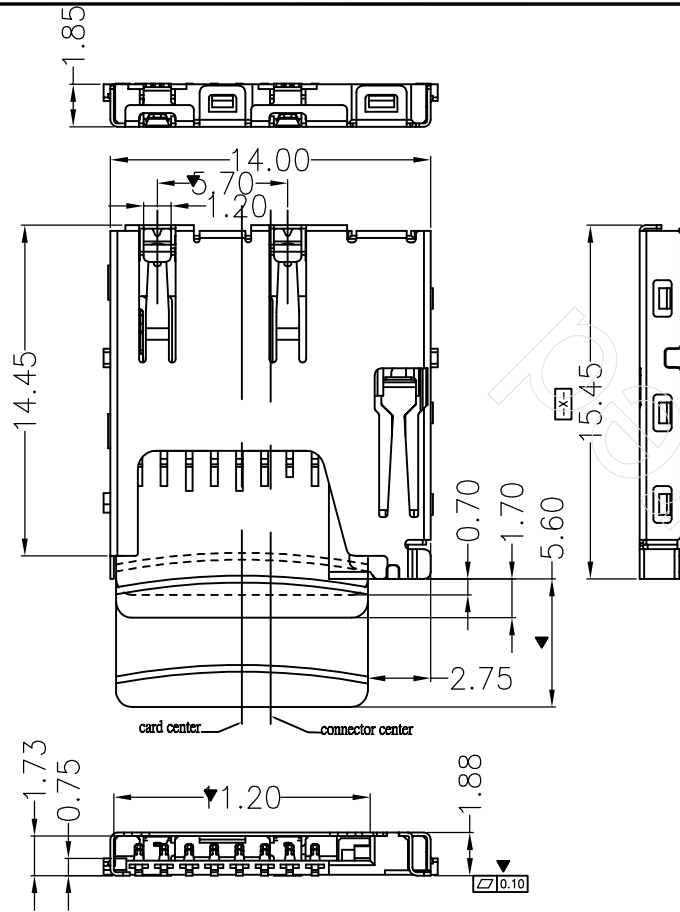
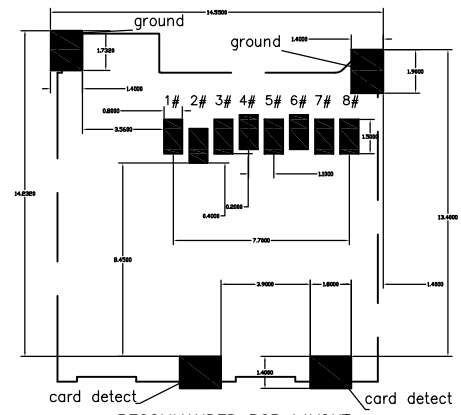
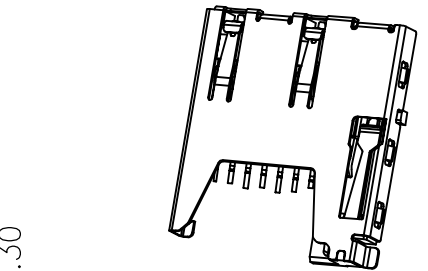


* 所有原料材质, 生产制程, 电镀必须符合ROHS要求



MicroSD DEFINITION

PIN NO.	FUNCTION
1	DATA LINE(BIT 2)
2	CARD DETECT/DATA LINE(BIT 3)
3	COMMAND RESPONSE
4	SUPPLY VOLTAGE
5	CLOCK
6	CARD DETECT
7	DATA LINE(BIT 0)
8	DATA LINE(BIT 1)



RECOMMENDED PCB LAYOUT
(ALL TOLERANCE IS 0.05)

- Notes:
- All Dimensions are in Millimeters.
 - Material:
 - Housing:LCP Color:black
 - Contact:Phosphor Bronze.
 - Tin 160u" at Solder Tail,
 - Selected Gold on Contact Area Plating.
 - Specification:
 - Electrical Characteristics:
 - Contact Resistance: 100mΩ Max.
 - Dielectric Withstanding Voltage: 500VAC Max With i Minute
 - Insulation Resistance:1000 MΩ Min.
 - Current Rating: 0.5A AC/DC Max. Rated Voltage : 100 V RMS Min.
 - Mechanical Characteristics:
 - Mating Force: 13.8N Max.
 - Unmating Force : 13.8N Min.
 - Contact Retation Force: 100g Min. Per Pin.
 - Operating Temperature: -25~+85°
 - Storage Temperature:-40~+85°

PART NUMBER:

007 1 A A A X 09 A

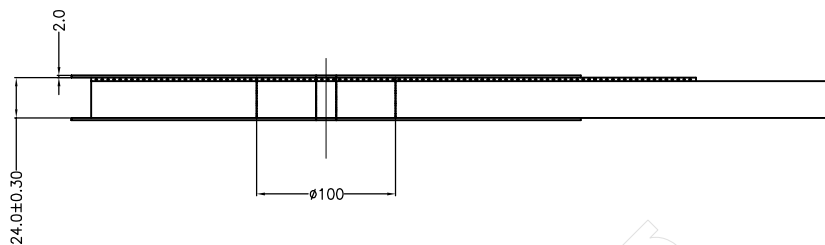
- G: 功能區鍍金1u", 錫腳Gold Flash (符合ROHS製程)
 - H: 功能區鍍金3u", 錫腳Gold Flash (符合ROHS製程)
 - J: 功能區鍍金5u", 錫腳Gold Flash (符合ROHS製程)
 - K: 功能區鍍金10u", 錫腳Gold Flash (符合ROHS製程)
 - S: 功能區域鍍金1u" 焊接腳純錫100u" (符合ROHS製程)
- A: 防空焊型, 外壳开口
B: 正常型

REVISION NO.	ECR NO.	DESCRIPTION	MARK	DATE
1				
2				

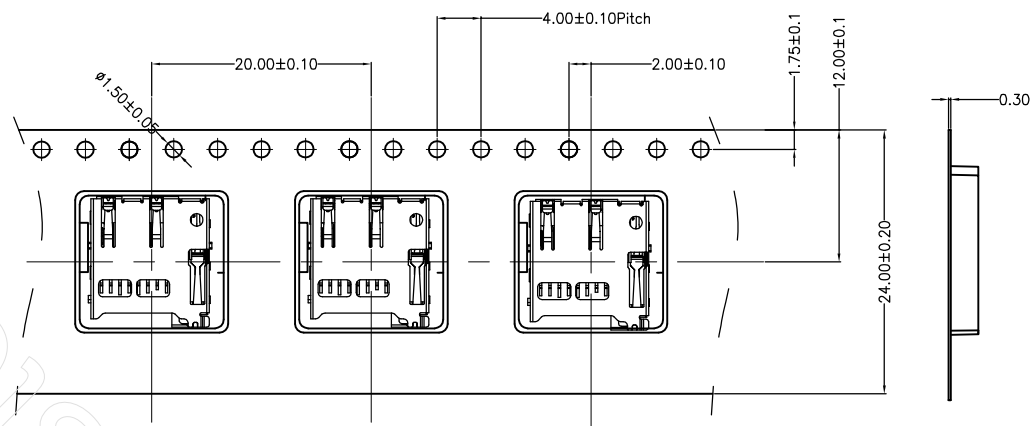
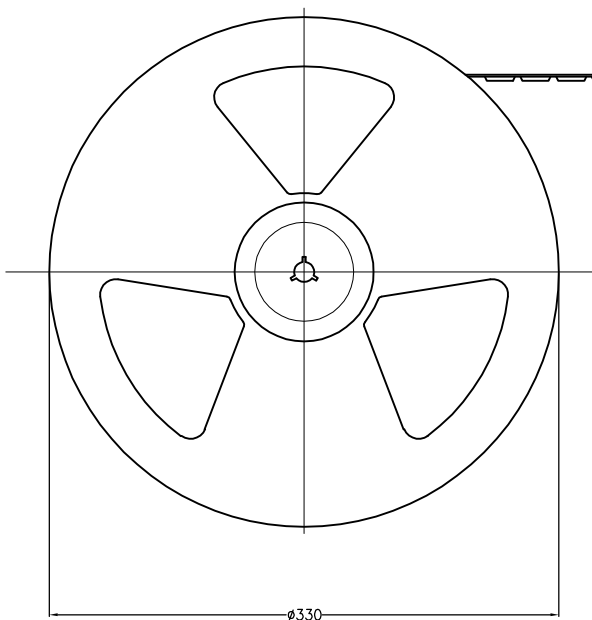
		DIMENSIONS INIT: mm	
		UNLESS OTHERWISE SPECIFIABLE	
DIMENSION	TOLERANCE		
X.X: ±	0.38		
X.XX: ±	0.25		
X.XXX: ±	0.10		
ANGULAR: ±	1°		

				深圳市鑫南天科技有限公司 Shen zhen Shi Xin Nan Tian Industrial Co., Ltd			
PRODUCT NAME :		DRAWING:		DATE:			
T-FLASH 卡座PUSH/PUSH		COCO		2008/04/10			
PRODUCT NO. :		CHECK:		DATE:			
0071AAAX09A		JANY		2009/04/11			
DRAWING NO. :		APPROVED:		DATE:			
NT-001		JEFF		2009/04/11			
SCALE:		DWG ID:		REV. :			
1:1		C D		A			
				PAGE:			
				1 of 2			

* 所有原材料, 生产制程, 电镀必须符合ROHS要求



PULL OUT DIRECTION →



PULL OUT DIRECTION →

Note:

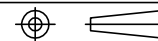
- 1.10 sprocket hole pitch cumulative tolerance ± 0.2
2. Carrier camber is within 1 mm in 250mm.
3. Material: Black Conductive Polystyrene Alloy
100 % recyclable.
4. All dimensions meet EIA-481-B requirements.
5. Thickness: 0.3 ± 0.05 mm.
6. Component load per 13" reel: 1000 pcs.
7. A box of 10 volumes, 10000PCS
8. 产品单重为: 0.6g; 每盘单重为: 920kg/盘, 每箱重9550g.
9. 纸箱:



深圳市鑫南天科技有限公司
Shen zhen Shi Xin Nan Tian Industrial Co., Ltd

DIMENSIONS INIT: mm
UNLESS OTHERWISE SPECIFIABLE
DIMENSION TOLERANCE
X.X: ± 0.38
X.XX: ± 0.25
X.XXX: ± 0.10
ANGULAR: ± 1°

PRODUCT NAME : T-FLASH 卡座PUSH/PUSH包规	DRAWING: COCO	DATE: 2008/04/10
PRODUCT NO. : 0071XAAX09X	CHECK: JANY	DATE: 2009/04/11
DRAWING NO. : NT-001	APPROVED: JEFF	DATE: 2009/04/11
SCALE: 1:1	DWG ID: C D	REV. : A
		PAGE: 1 of 1



REVISION NO.	ECR NO.	DESCRIPTION	MARK	DATE
1				
2				
3				